



EU DECLARATION OF CONFORMITY
DECLARACIÓN UE DE CONFORMIDAD

3EBasor
CABLE TRAY SPECIALIST
www.basor.com



Certificado Nº SGI 3198065/11



Certificado Nº SGI 3198065/12

The company / *La Empresa:*

BASOR ELECTRIC, S.A.

Address / *Dirección:*

Av. Alcodar, 45-47, 46700. Gandía (VLC), Spain.

Declares that the product:

Declara que el producto:

BASORPLAST BPE WITH COVER / *BASORPLAST BPE CON TAPA*

Installed in accordance to the installation standards, manufacturer's instructions and professional rules, duly maintained and used for the applications as intended.

Instalado de acuerdo con las normas de instalación, instrucciones del fabricante y conforme a las reglas profesionales, debidamente mantenido y utilizado en las aplicaciones para las que está previsto.

Complies with the essential requirements of the Council Directives:

Cumple con los requisitos esenciales de las Directivas del Consejo:

2014/35/UE (Low Voltage Directive) / *(Directiva de Baja Tensión)*

Incorporated in the Spanish Legislation in: R.D. 7/1988 and its modification R.D. 154/1995.

Incorporado en la Legislación Española en: R.D. 7/1988 y su modificación R.D. 154/1995.

And it is suitable and safe for the intended use and it is in conformity with the following standard:

Es adecuado y seguro para el uso a que está destinado y es conforme con la siguiente norma:

UNE EN 50085-1

UNE EN 50085-2-1

Additional information:

Información adicional:

This product is intended to be installed and maintained by skilled persons, it may be used by ordinary persons only as a replacement part, to substitute for an identical device.

Este producto está previsto para ser instalado y mantenido por un profesional, puede ser usado por una persona no formada para reemplazamiento de uno idéntico.

Place and date:

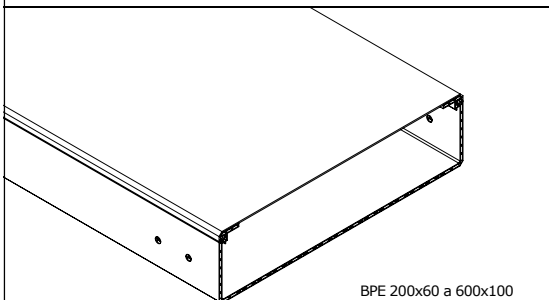
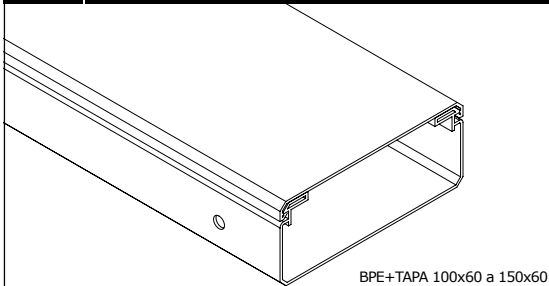
Lugar y fecha:

Gandía April 2016

Gandía Abril 2016

Technical department / *Departamento Técnico*

BPE WITH COVER



Models (HxB):

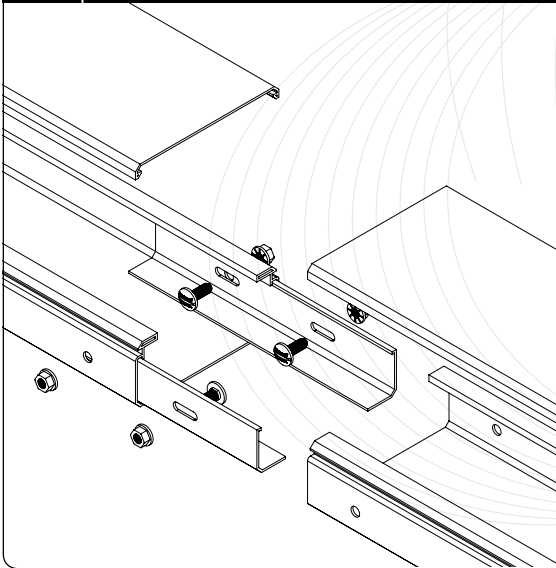
60x100; 60x150; 60x200; 60x300; 100x200; 100x300; 100x400; 100x600.

Finishes: PVC M1 UV RAL 7035

Characteristics of the trunking:

- Non metallic system
- Impact strength: 20J, excepto 60x100 con 10J
- Resistant to UV radiation. Excellent outdoor behavior
- Minimum temperature storage: -45°C
- Minimum temperature: -20 °C
- Maximum temperature: 60 °C
- Non-flame propagating component
- Without electrical continuity
- Electrical insulating component
- Degrees of protection provided by enclosures EN 60529:
BPE non perforated + Cover: IP3X
BPE perforated + Cover: IP2X
- Degrees of protection provided by enclosures against external mechanical impacts, UNE EN 50.102:
IK07 (IK10 with supplementary part)
- High protection inside and outside against corrosive substances
- Plastic system resistant to humidity/salty and chemical environments according to DIN 8061 and ISO/TR 10358
- The access of the cover can be opened without tools (in the case of supplementary part IK10 needed to the use of a screwdriver).
- M1 Reaction to fire test UNE 23727
- Glow wire test degree 960°C, UNE-EN 60695-2-11
- Flame Retardancy UL 94-VO, ANSI/UL 94-1995
- >Level Oxygen Index LOI>50%, UNE EN ISO 4589
- Complies with RoHS directive, 2002/95/EC
- Raw material without silicone

INSTRUCTIONS FOR USE



- For the assembly, two union joints and four M8 PVC Bolt sets are needed for each stretch (8 for H100 models).
- Tray installation for electrical systems should NOT run under other types of canalisations such as water, vapour or gas canalisations.
- To guarantee a good ventilation, we recommend installing the trays keeping a minimum distance of 250 mm between each tray.
- Suitable for wet, salty and chemical enviroments.
- To assure good performance under expansions , the increase in temperature must be noted, between the installation and the maximum temperature expected. Depending on the expected growth in the temperature (ΔT) leave a gap (h) between cable trays according to the following table :

| ΔT (°C) | h (mm) |
|-----------------|--------|
| 20 | 5 |
| 30 | 7 |
| 40 | 9 |
| 50 | 11 |

Accessories:

The family has a large range of accessories such as: cover, separator, horizontal bend, inside bend, outside bend, union joint, articulated union joint and hinge joint.